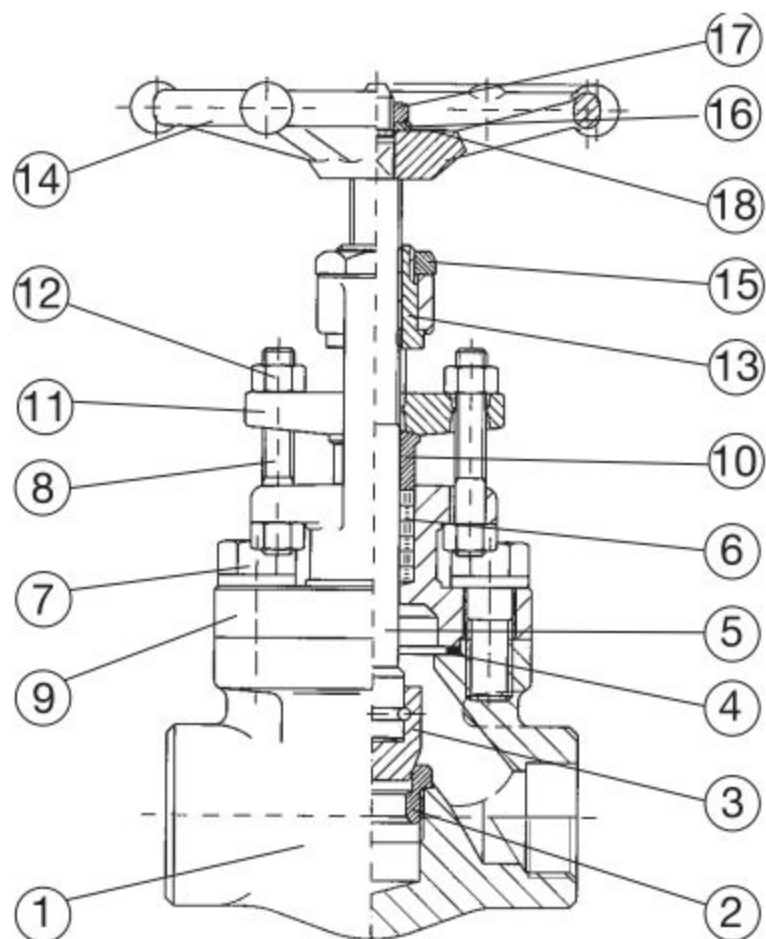


OSNOVNA KONSTRUKCIJA

ANSI standard

KOVANI RAVNO ZAPORNI VENTILI



Globe Valve

1	<i>Body</i>	ASTM A105
2	<i>Body Ring</i>	ASTM A479 410
3	<i>Disc</i>	ASTM A479 410
4	<i>Gasket</i>	SWG AISI 304 or 316 + Graphite
5	<i>Stem</i>	ASTM A479 410
6	<i>Packing</i>	Graphite
7	<i>B/B Bolt</i>	ASTM A193 Gr. B7
8	<i>Gland Bolt</i>	ASTM A193 Gr. B8
9	<i>Bonnet</i>	ASTM A105
10	<i>Gland</i>	AISI 316
11	<i>Gland Flange</i>	ASTM A105
12	<i>Gland Bolt Nut</i>	ASTM A194 Gr. 2H
13	<i>Stem Bushing</i>	AISI 420
14	<i>Handwheel</i>	Carbon Steel
15	<i>Yoke Nut</i>	Steel
16	<i>Washer</i>	Steel
17	<i>Handwheel Nut</i>	Steel
18	<i>Name Plate</i>	Aluminium